

Congratulations on your purchase of the Andrea Mobile Headset EDU-255M!

The Andrea Mobile Noise Canceling Headset EDU-255M features, state-of-the-art, Noise Canceling microphone technology that removes background noise for optimal voice recognition.

Users receive:

- Andrea microphone technology in a high-fidelity headset
- A rigid wire boom which keeps the microphone accurately positioned in place
- Increased speed and accuracy of PC speech-driven applications
- Cable module with earphone volume control

Connecting the EDU-255M

To connect the Andrea EDU-255M Mobile Headset to your device

1. Plug the black plug into your mobile device's shared microphone/speaker port

COMPATIBILITY

The EDU-255M is compatible with most mobile devices such as smartphones, laptops, tablets and Computers with a single shared microphone/speaker port.

C46-5471-25 Rev B

Package includes: One (1) EDU-255M Mobile Headset, and
One (1) EDU-255M Headset Publication

HEADSET INSTRUCTIONS

1. Fit the adjustable headband over your head to secure the headset with the speakers resting comfortably around your ears.
2. Adjust the microphone boom so that the microphone is approximately 3/4" in front of your mouth.

TROUBLESHOOTING

If you encounter the following problems:

No sound from headset ear piece while audio plays from computer.

- A. Check all connections.
- B. Consult your sound card instruction booklet.
- C. Check output volume level adjustment in software.

Microphone does not record sound when using a voice-recording application.

- A. Check all connections.
- B. Bring the microphone closer to your mouth.
- C. Check input control for proper level in software.
- D. Check that microphone is not muted in the PC's microphone audio panel.



TECHNICAL SERVICE

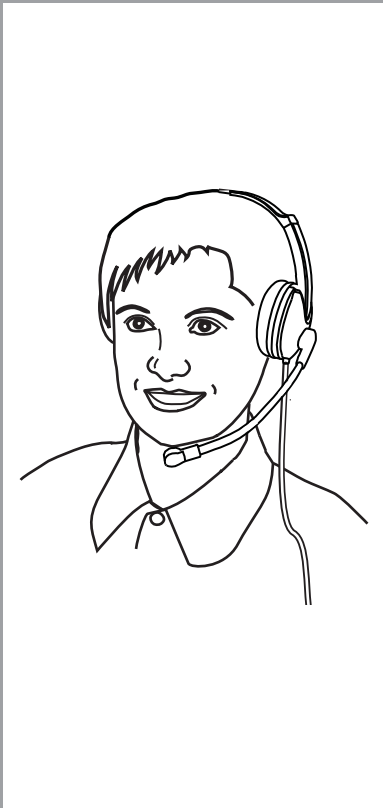
We hope that you enjoy your Andrea EDU-255M Headset. If you have additional questions, please visit our website at: www.andreacommunications.com/support or call Andrea Communications Technical Service team at 1-800-442-7787 (USA & Canada) for assistance.

WARRANTY INFORMATION

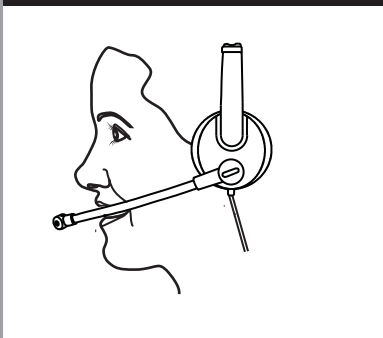
Please visit our website at: www.andreacommunications.com/warranty for all warranty information.

**EDU-255M
HEADSET**

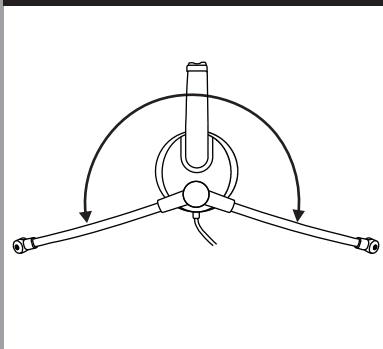




**POSITION MICROPHONE 3/4" (20 MM)
FROM MOUTH**



ADJUSTABLE MICROPHONE BOOM



STANDARD SET-UP

