

## Congratulations on your purchase of the Andrea NC-455VM USB Headset USB!

The Andrea NC-455VM USB Noise Canceling USB Headset features, state-of-the-art, Noise Canceling microphone technology that removes background noise for optimal voice recognition.

Users receive:

- Andrea microphone technology in a high-fidelity headset
- A rigid wire boom which keeps the microphone accurately positioned in place
- In-line volume controls with microphone and speaker mute buttons
- Increased speed and accuracy of PC speech-driven applications
- Built in high quality external USB soundcard

### CONNECTING THE NC-455VM USB

To connect the Andrea NC-455VM USB Headset to your computer's sound card:

1. Plug the black USB plug into your device's USB port.

### COMPATIBILITY

The NC-455VM USB is compatible with most computers, laptops, tablets and MACs with a USB port.

### HEADSET INSTRUCTIONS

1. Fit the adjustable headband over your head to secure the headset with the speakers resting comfortably around your ears.
2. Adjust the microphone boom so that the microphone is approximately 3/4" in front of your mouth.

### TROUBLESHOOTING

If you encounter the following problems:

No sound from headset ear piece while audio plays from computer.

- A. Check all connections.
- B. Consult your sound card instruction booklet
- C. Check output volume level adjustment in software.

Microphone does not record sound when using a voice-recording application.

- A. Check all connections.
- B. Bring the microphone closer to your mouth.
- C. Check input control for proper level in software.
- D. Check that microphone is not muted in the PC's microphone audio panel.



### TECHNICAL SERVICE

We hope that you enjoy your Andrea NC-455VM USB Headset. If you have additional questions, please visit our website at: [www.andreacommunications.com/support](http://www.andreacommunications.com/support) or call Andrea Communications Technical Service team at 1-800-442-7787 (USA & Canada) for assistance.

### WARRANTY INFORMATION

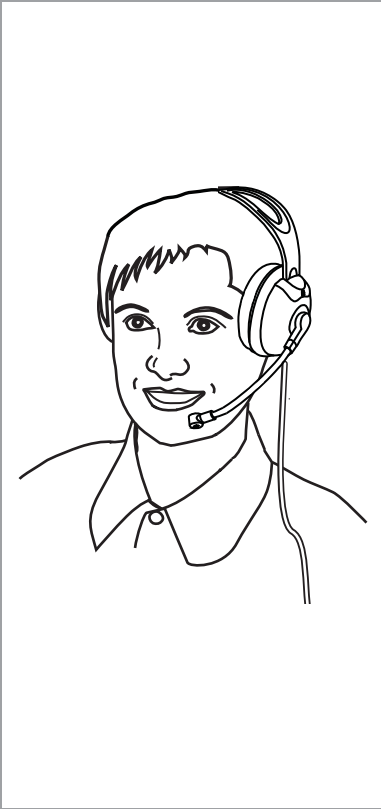
Please visit our website at: [www.andreacommunications.com/warranty](http://www.andreacommunications.com/warranty) for all warranty information.

## NC-455VM USB HEADSET

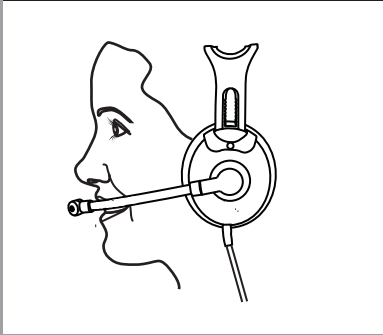
C46-5488 Rev -

Package includes: One (1) NC-455VM USB Headset, and  
One (1) NC-455VM USB Headset Publication

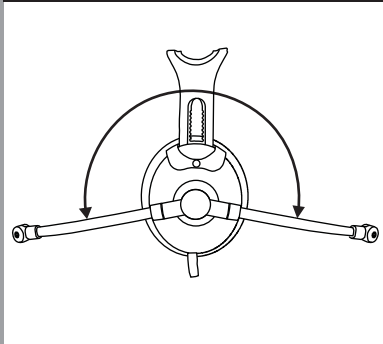




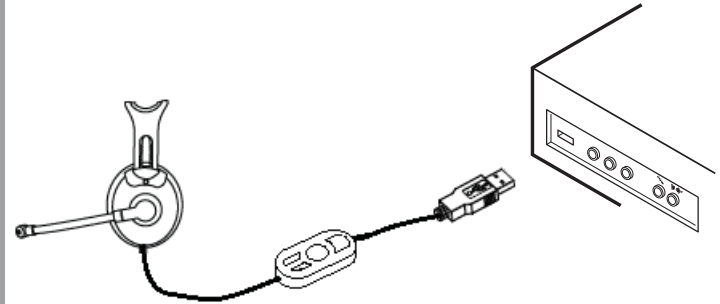
**POSITION MICROPHONE 3/4" (20 MM)  
FROM MOUTH**



**ADJUSTABLE MICROPHONE BOOM**



**STANDARD SET-UP**



**IN-LINE VOLUME CONTROLS**

