

# Congratulations on your purchase of the Andrea SG-110M Microphone!

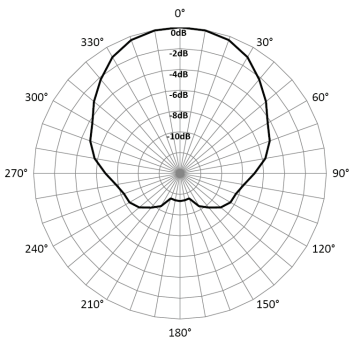
The Andrea Communications SG-110M Microphone is a cardioid directional microphone that offers the highest quality and performance for a single element microphone.

## Features Include:

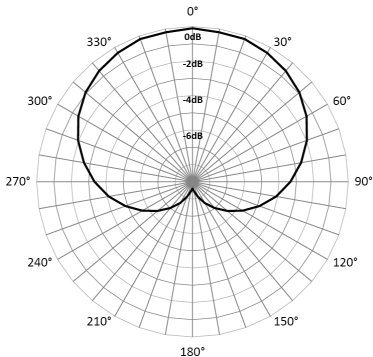
- Solid rotation base.
- Small size for ease of portability.
- TRRS Right Angle Plug connector.

## Microphone Performance (polar plots):

100HZ – 10KHz



1KHz



## COMPATIBILITY:

The Andrea SG-110M with TRRS plug is compatible with smartphones, tablets, laptops and computers with a single shared audio port. Use the included C-300 Adapter to connect to an optional Andrea USB Adapter or a computer or laptop with dual 3.5mm jacks.

## To connect the Andrea SG-110M Microphone to your mobile recording device:

Plug the 3.5mm TRRS connector into the shared (combined) audio input on your recording device.

## To connect the Andrea SG-110M Microphone to an optional Andrea USB Adapter or a computer or laptop with dual 3.5mm jacks:

Plug the 3.5mm TRRS connector of the SG-110M into the included C-300 Adapter. Then plug the C-300 Adapter into the microphone input (usually pink) on your USB Adapter, Computer or Laptop.



## TROUBLESHOOTING:

Microphone does not record sound when using a voice-recording application:

- Check all connections.
- Check input control for proper level in software.
- Check that microphone is not muted on the digital recording device or in the computer's microphone audio panel.

## TECHNICAL SERVICE

We hope that you enjoy your Andrea SG-110M Microphone. If you have additional questions, please visit our website at: [www.andreacommunications.com/support](http://www.andreacommunications.com/support) or call Andrea Communications Technical Service team at 1-800-442-7787 (USA & Canada) for assistance.

**SG-110M  
DIRECTIONAL  
SHOTGUN  
MICROPHONE**

C46-5489 Rev A

## Package includes:

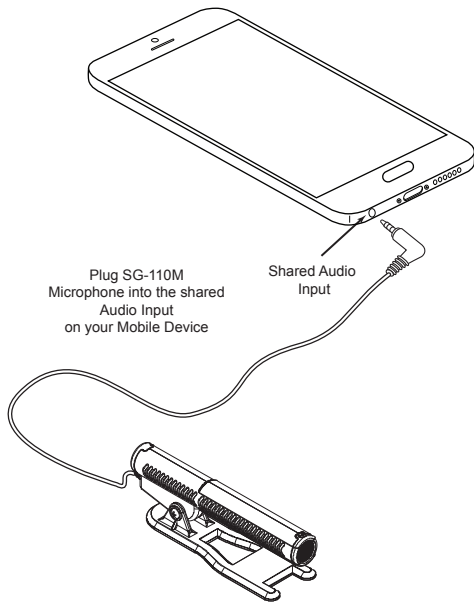
One (1) SG-110M Microphone, One (1) C-300 Adapter, One (1) Travel Pouch and One (1) SG-110M Microphone Publication.

## WARRANTY INFORMATION

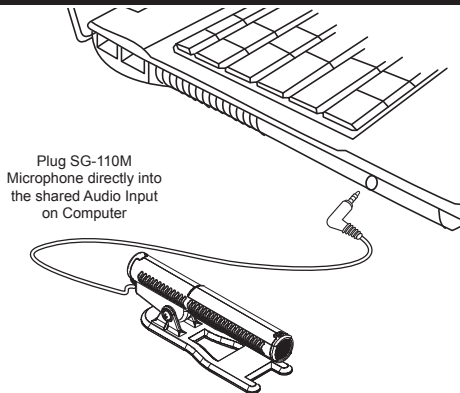
Please visit our website at:  
[www.andreacommunications.com/warranty](http://www.andreacommunications.com/warranty)



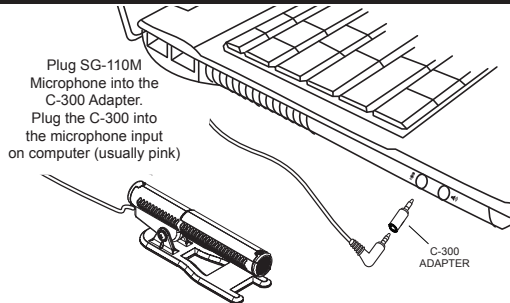
**CONNECTING THE SG-110M MICROPHONE TO YOUR MOBILE DEVICE.**



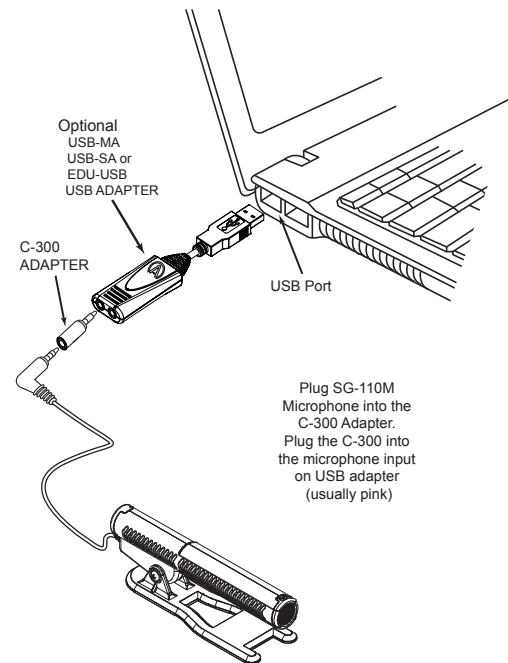
**CONNECTING THE SG-110M MICROPHONE TO YOUR COMPUTER WITH SINGLE AUDIO JACK.**



**CONNECTING THE SG-110M MICROPHONE TO YOUR COMPUTER WITH DUAL AUDIO JACKS.**



**CONNECTING THE SG-110M MICROPHONE INTO YOUR COMPUTER USING AN OPTIONAL USB ADAPTER AND THE INCLUDED C-300 ADAPTER**



Visit [www.andreacommunications.com](http://www.andreacommunications.com) or call 1-800-442-7787 in U.S.A./Canada to order one of Andrea's Optional USB Adapters. The Andrea EDU-USB, USB-SA, and the USB-MA are compatible.